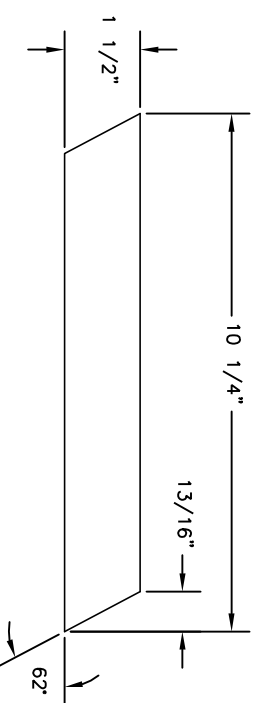
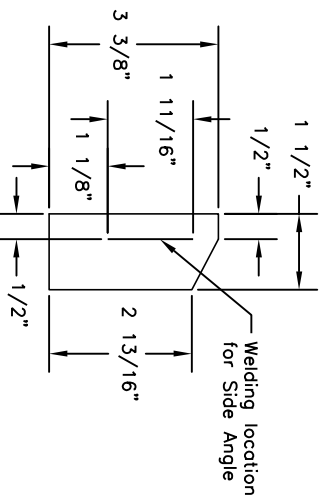
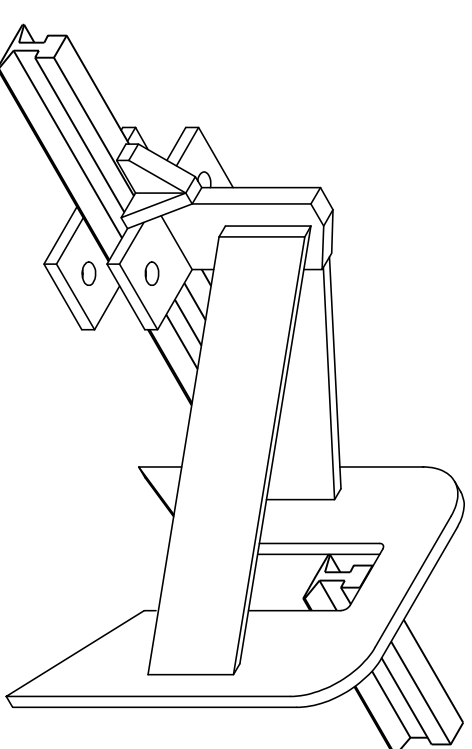


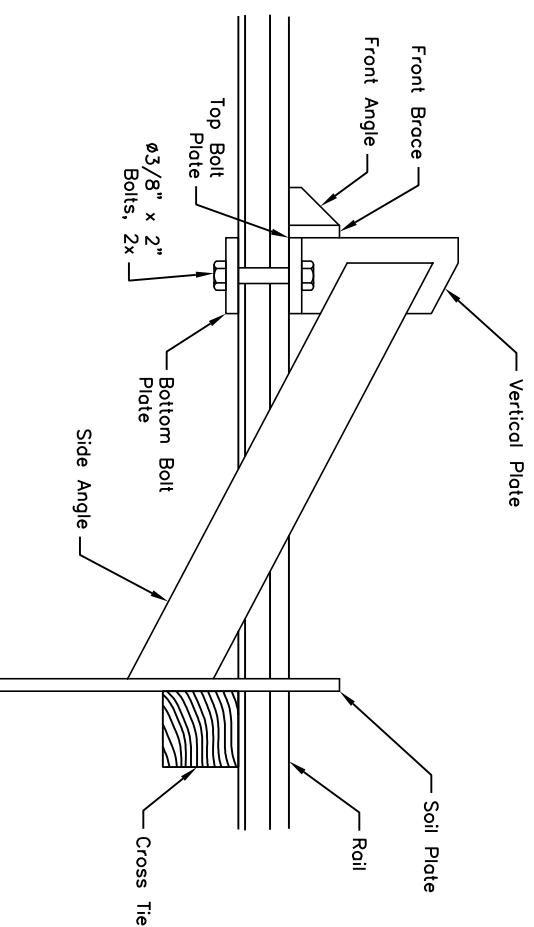
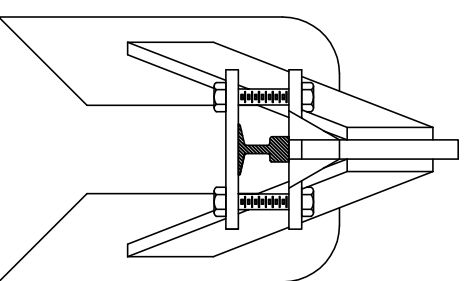
Soil Plate
1/4" steel



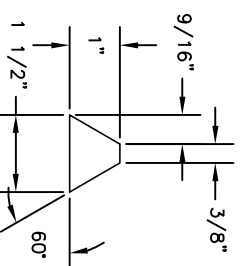
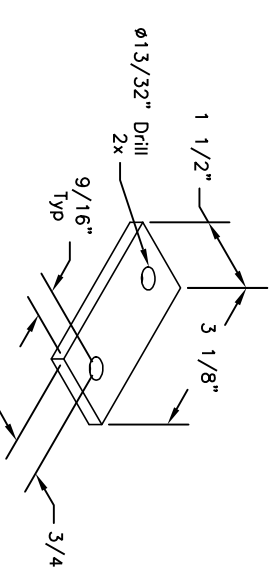
Side Angle
1/4" steel, 2x



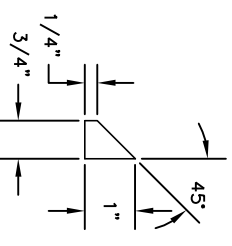
Vertical Plate
3/8" steel



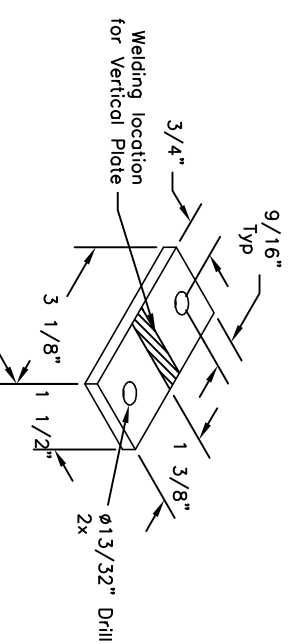
Bottom Bolt Plate
1/4" steel



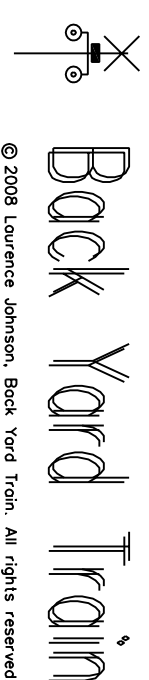
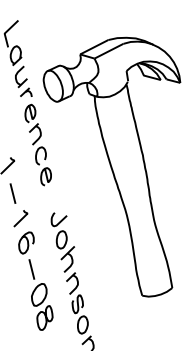
Front Base
1/4" steel



Front Angle
3/8" steel



Top Bolt Plate
1/4" steel



© 2008 Laurence Johnson, Back Yard Train. All rights reserved.

Wheel Stop

DRAWN BY *Laurence Johnson* FILE NAME E:\TRAIN\wheel stop.dwg

SCALE NONE DATE 1-12-08 SHEET 1 OF 1

NOTE: Image quality is best when printed at 11 x 17". If you print on smaller paper, you may find it helpful to change the printer properties from "normal" to "fine"